

PRESS-LOC THUMB SCREW KNOBS

HEX PRESS-LOC WING THUMB SCREW KNOBS

NOTE: 29RN and WN fit hex nuts and hex head cap screws.
TO IFI TOLERANCES

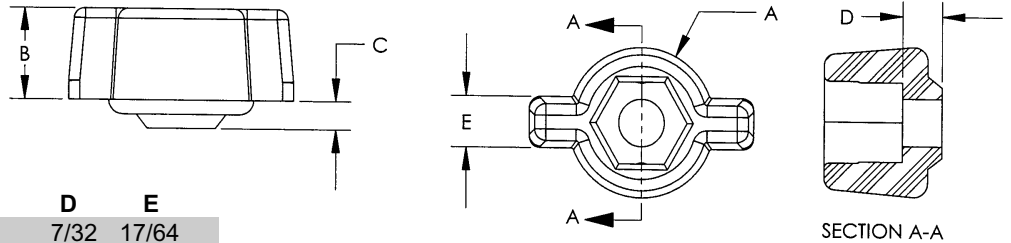
NOTE

IF SCREW OR NUT IS PLATED, PAINTED OR NOT TO IFI STANDARD TOLERANCES, WE STRONGLY RECOMMEND SAMPLES FOR FIT BEFORE ORDERING LARGE QUANTITIES.



PART NUMBER	COLOR
29WN014N	NATURAL
29WN014B	BLACK
29WN014WT	WHITE

PART NUMBER	SIZE	A	B	C	D	E
29WN014	1/4	13/16	1/2	5/32	7/32	17/64

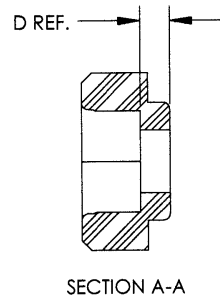
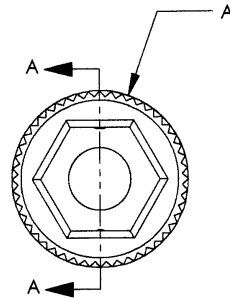
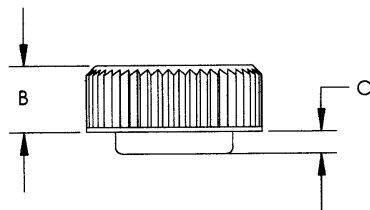


HEX PRESS-LOC ROUND THUMB SCREW KNOBS

Micro Plastics nylon Press-Loc Knobs are designed to press onto standard steel hex head cap screws and hex nuts. Knobs are easily assembled by pressing the steel nut or screw into the plastic knob.

NOTE: 29RN and WN fit hex nuts and hex head cap screws.

TO IFI TOLERANCES.



NOTE

IF SCREW OR NUT IS PLATED, PAINTED OR NOT TO IFI STANDARD TOLERANCES, WE STRONGLY RECOMMEND SAMPLES FOR FIT BEFORE ORDERING LARGE QUANTITIES

PART NUMBER	COLOR
29RN147N	NATURAL
29RN147B	BLACK
29RN147WT	WHITE

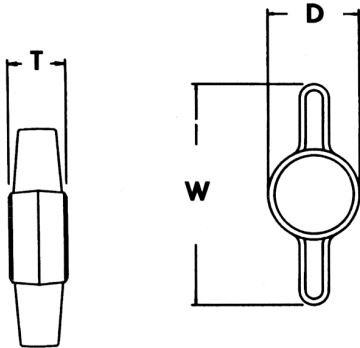
PART NUMBER	SIZE	A	B	C	D
29RN147	1/4	3/4	9/32	3/32	1/8

DOES NOT INCLUDE STEEL SCREW

PRESS-LOC THUMB SCREW KNOBS

SECTION
I

PLASTIC HEADS ARE MOLDED
ONTO ZINC PLATED STEEL ALLOY
SOCKET HEAD CAP SCREWS.



TOLERANCES +/- .031



COLOR CODES MUST BE INCLUDED WITH
THE ITEM NUMBER WHEN ORDERING!

B - BLACK **RD** - RED **WT** - WHITE
BL - BLUE **GR** - GREEN

WING HEAD - KNOBS

MATERIAL - ACETAL

ITEM NUMBER	FITS SCREW	SPECIFICATIONS		
		W	T	D
29W010	#10	1"	1/4"	7/16"
29W014	1/4	1-17/64"	11/32"	17/32"
29W516	5/16	1-1/2"	13/32"	5/8"
29W038	3/8	1-25/32"	31/64"	47/64"

WING HEAD - SCREW

MOLDED ONTO ZINC PLATED STEEL
ALLOY SOCKET HEAD CAP SCREW.

GENERAL PURPOSE NYLON

ITEM NUMBER	SCREW SIZE	SCREW LENGTH	HEAD DIA.	
29W010S037	10-32	3/8"	1"	
29W010S050	10-32	1/2"	1"	
29W010S075	10-32	3/4"	1"	
29W010S100	10-32	1"	1"	
29W010S150	10-32	1-1/2"	1"	
29W014S050	1/4-20	1/2"	1-17/64"	
29W014S075	1/4-20	3/4"	1-17/64"	
29W014S100	1/4-20	1"	1-17/64"	
29W014S125	1/4-20	1-1/4"	1-17/64"	
29W014S150	1/4-20	1-1/2"	1-17/64"	
29W516S050	5/16-18	1/2"	1-1/2"	
29W516S075	5/16-18	3/4"	1-1/2"	
29W516S100	5/16-18	1"	1-1/2"	
29W516S150	5/16-18	1-1/2"	1-1/2"	
29W038S075	3/8-16	3/4"	1-3/4"	
29W038S100	3/8-16	1"	1-3/4"	
29W038S150	3/8-16	1-1/2"	1-3/4"	

ALL PARTS UP TO 1" LONG ARE FULLY THREADED.

TOLERANCES +/- .031

FLOWERETTE - KNOBS

PRESSES ONTO ANY STD.
SOCKET HEX CAP SCREW.

MATERIAL - ACETAL

ITEM NUMBER	FITS SCREW	SPECIFICATIONS	
		T	D
29F014	1/4	3/8"	1/2"
29F516	5/16	3/8"	19/32"
29F038	3/8	3/8"	45/64"

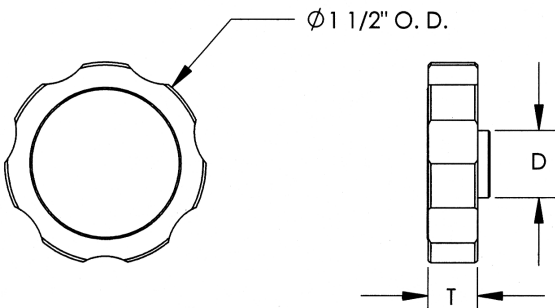
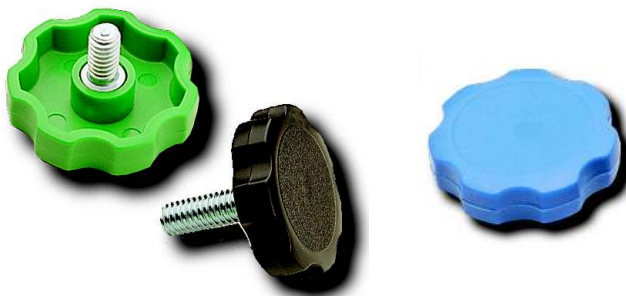
FLOWERETTE - SCREW

MOLDED ONTO ZINC PLATED STEEL
ALLOY SOCKET HEAD CAP SCREW.

GENERAL PURPOSE NYLON

ITEM NUMBER	SCREW SIZE	SCREW LENGTH	HEAD DIA.	
29F014S050	1/4-20	1/2"	1-1/2"	
29F014S075	1/4-20	3/4"	1-1/2"	
29F014S100	1/4-20	1"	1-1/2"	
29F014S150	1/4-20	1-1/2"	1-1/2"	
29F516S050	5/16-18	1/2"	1-1/2"	
29F516S075	5/16-18	3/4"	1-1/2"	
29F516S100	5/16-18	1"	1-1/2"	
29F516S150	5/16-18	1-1/2"	1-1/2"	
29F038S075	3/8-16	3/4"	1-1/2"	
29F038S100	3/8-16	1"	1-1/2"	
29F038S150	3/8-16	1-1/2"	1-1/2"	

ALL PARTS UP TO 1" LONG ARE FULLY THREADED.



PRESS-LOC THUMB SCREW KNOBS

SECTION
I

STANDARD - ROUND HEAD - KNOB

PRESSES ONTO ANY STD. SOCKET HEX CAP SCREW

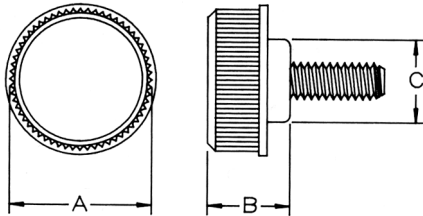
ITEM NUMBER	Material: ACETAL FITS SCREW	SPECIFICATIONS		
		A	B	C
29R004	#4	5/16"	11/64"	9/32"
29R006	#6	3/8"	13/64"	21/64"
29R008	#8	1/2"	7/32"	3/8"
29R010	#10	21/32"	1/4"	27/64"
29R147	1/4	3/4"	5/16"	1/2"
29R141	1/4	1"	21/64"	1/2"
29R516	5/16	1"	25/64"	19/32"

METRIC - ROUND HEAD - KNOB

PRESSES ONTO ANY STD. SOCKET HEX CAP SCREW.

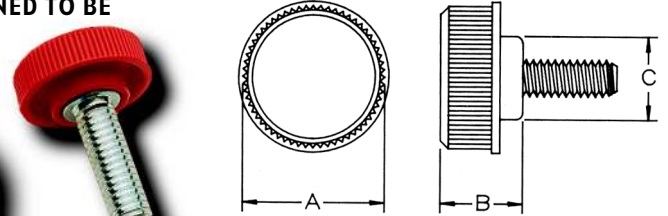
ITEM NUMBER	Material: ACETAL FITS SCREW	SPECIFICATIONS		
		A	B	C
29M300R	M 3	9,53	5,16	8,33
29M400R	M 4	12,70	5,56	9,53
29M500R	M 5	16,60	6,35	10,72
29M600R	M 6	19,05	7,93	12,70
29M601R	M 6	25,40	8,33	12,70
29M801R	M 8	25,40	9,92	15,08

TOLERANCES +/- .031



ROUND HEAD DRAWING FOR:
STANDARD HEAD DIA.
5/16" THROUGH 1"

NOTE: PRESS LOC THUMB
SCREWS ARE DESIGNED TO BE
HAND TIGHTENED.



TOLERANCES +/- .79 mm

ROUND HEAD DRAWING FOR:
METRIC HEAD DIA.
9,53 THROUGH 25,40



All PARTS UP TO 1 LONG ARE FULLY THREADED.

STANDARD - ROUND HEAD - SCREW

GENERAL PURPOSE NYLON 6

MOLDED ONTO ZINC PLATED STEEL ALLOY SOCKET HEAD CAP SCREW.

ITEM NUMBER	SCREW SIZE	SCREW LENGTH	HEAD DIA.
29R004S025	4-40	1/4"	5/16"
29R004S037	4-40	3/8"	5/16"
29R004S050	4-40	1/2"	5/16"
29R004S075	4-40	3/4"	5/16"
29R006S025	6-32	1/4"	3/8"
29R006S037	6-32	3/8"	3/8"
29R006S050	6-32	1/2"	3/8"
29R006S062	6-32	5/8"	3/8"
29R006S075	6-32	3/4"	3/8"
29R008S037	8-32	3/8"	1/2"
29R008S050	8-32	1/2"	1/2"
29R008S075	8-32	3/4"	1/2"
29R008S100	8-32	1"	1/2"
29R010S037	10-32	3/8"	21/32"
29R010S050	10-32	1/2"	21/32"
29R010S075	10-32	3/4"	21/32"
29R010S100	10-32	1"	21/32"
29R010S150	10-32	1-1/2"	21/32"
29R147S050	1/4-20	1/2"	3/4
29R147S075	1/4-20	3/4"	3/4
29R147S100	1/4-20	1"	3/4
29R147S125	1/4-20	1-1/4	3/4
29R147S150	1/4-20	1-1/2"	3/4
29R141S050	1/4-20	1/2"	1"
29R141S075	1/4-20	3/4"	1"
29R141S100	1/4-20	1"	1"
29R141S125	1/4-20	1-1/4	1"
29R141S150	1/4-20	1-1/2"	1"
29R516S050	5/16-18	1/2"	1"
29R516S075	5/16-18	3/4"	1"
29R516S100	5/16-18	1"	1"
29R516S150	5/16-18	1-1/2"	1"

METRIC - ROUND HEAD - SCREW

GENERAL PURPOSE NYLON 6

MOLDED ONTO ZINC PLATED STEEL ALLOY SOCKET HEAD CAP SCREW.

ITEM NUMBER	SCREW SIZE	SCREW LENGTH	HEAD DIA.
29M30050R008	M 3	M 8	9,53
29M30050R010	M 3	M 10	9,53
29M30050R012	M 3	M 12	9,53
29M30050R016	M 3	M 16	9,53
29M40070R010	M 4	M 10	12,70
29M40070R012	M 4	M 12	12,70
29M40070R016	M 4	M 16	12,70
29M40070R020	M 4	M 20	12,70
29M40070R025	M 4	M 25	12,70
29M50080R012	M 5	M 12	16,60
29M50080R016	M 5	M 16	16,60
29M50080R020	M 5	M 20	16,60
29M50080R025	M 5	M 25	16,60
29M50080R040	M 5	M 40	16,60
29M60100R012	M 6	M 12	19,05
29M60100R016	M 6	M 16	19,05
29M60100R020	M 6	M 20	19,05
29M60100R025	M 6	M 25	19,05
29M60100R040	M 6	M 40	19,05
29M61100R012	M 6	M 12	25,40
29M61100R016	M 6	M 16	25,40
29M61100R020	M 6	M 20	25,40
29M61100R025	M 6	M 25	25,40
29M61100R040	M 6	M 40	25,40
29M80125R012	M 8	M 12	25,40
29M80125R016	M 8	M 16	25,40
29M80125R020	M 8	M 20	25,40
29M80125R025	M 8	M 25	25,40
* 29M80125R040	M 8	M 40	25,40

* NOT FULLY THREADED

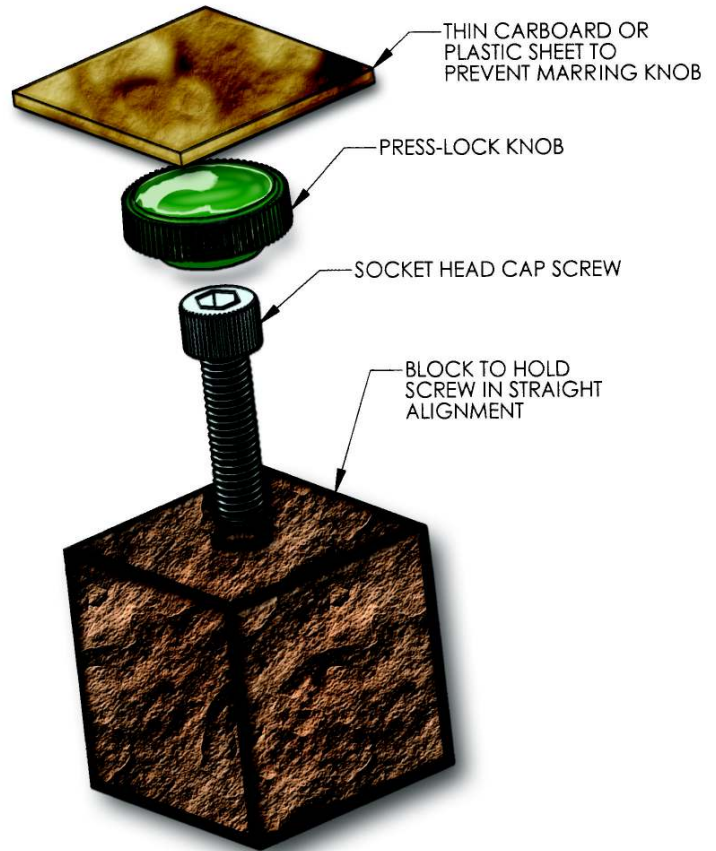
PRESS-LOC THUMB SCREW KNOBS

SECTION

I

EASY TO ASSEMBLE INSTANT THUMB SCREWS

Micro Plastics Press-Loc Thumb Screw Knobs can be assembled to the appropriate size hexagon socket head cap screw in various ways. Any device that provides a positive clamping force, such as a bench vise or arbor press will perform the assembly. The socket head cap screw must be aligned with the matching counterbore provided in the Press-Loc knob, place the assembly between the clamping jaws of the assembly device and provide enough force to press the knob completely over the head of the screw. A small section of thin cardboard or smooth plastic placed between the surface of the Press-Loc knob and the clamping jaw is recommended to prevent marring of the knob surface.



PRESS-LOC ASSORTMENT KITS

FLOWERETTE 144 PIECE

ASSORTMENT CONSISTS OF APPROX:
 48 - 1/4"
 48 - 5/16"
 48 - 3/8"

Assorted Colors

O4ASO144FPL

WING 312 PIECE

ASSORTMENT CONSISTS OF APPROX:
 72 - 1/4"
 78 - 5/16"
 72 - 3/8"
 90 - #10

Assorted Colors

O4ASO312WPL

ROUND 704 PIECE

ASSORTMENT CONSISTS OF APPROX:
 102 - 5/16"
 102 - 1/4 X 1"
 100 - 1/4 X 3/4"
 100 - #10
 100 - # 8
 100 - # 6
 100 - # 4

Assorted Colors

O4ASO704RPL

ROUND 380 PIECE

ASSORTMENT CONSISTS OF APPROX:
 40 - 5/16"
 40 - 1/4 X 1"
 75 - 1/4 X 3/4"
 75 - #10
 50 - # 8
 50 - # 6
 50 - # 4

Assorted Colors

O4ASO380RPL

HEX PRESS-LOC TRI KNOB

Micro Plastics nylon press-loc tri knobs are designed to press on to 1/4 standard steel hex nuts and 1/4 hex head cap screws. Knobs are easily assembled by pressing the steel nut or screw into the plastic tri knob. Available in natural and black nylon 6/6.



PART NUMBER	SIZE	COLOR
29TL250N	1/4	NATURAL
29TL250B	1/4	BLACK
29TL250WT	1/4	WHITE

