

METRIC SCREWS, BOLTS AND THREADED ROD

SECTION
XIII

ALL DIMENSIONS ARE IN MILLIMETERS



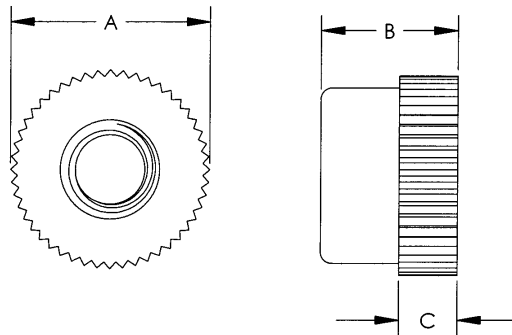
This versatile threaded rod stock is easily cut to size, resistant to most chemicals, electrically insulating, non-magnetic, light-weight, low thermal conductivity, vibration and abrasion resistant. Stock length is 1 meter. We can furnish cut to your length with a nominal cutting charge. Other plastic materials can be furnished on special order.

NYLON THREADED ROD

ITEM NUMBER	DESCRIPTION
38M030050TR	M 3 X .5 THREADED ROD
38M040070TR	M 4 X .7 THREADED ROD
38M050080TR	M 5 X .8 THREADED ROD
38M060100TR	M 6 X 1.0 THREADED ROD
38M080125TR	M 8 X 1.25 THREADED ROD

METRIC NUTS

SECTION
XIV



NYLON THUMB NUTS TOLERANCE +/- .26 mm

ITEM NUMBER	DESCRIPTION	A	B	C
08M040070TN	M4 X 0.7	10.8	7.7	3.5

METRIC NUTS

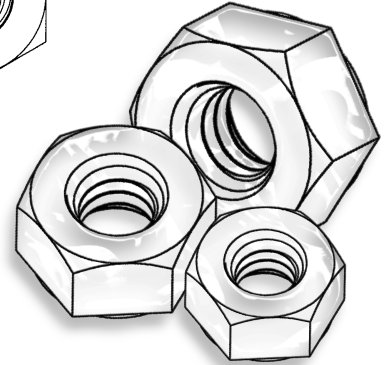
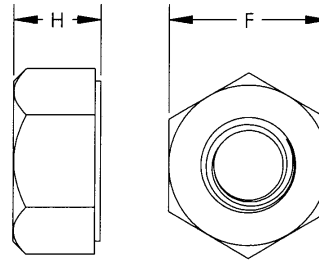
SECTION
XIV

ALL DIMENSIONS ARE IN MILLIMETERS

NYLON HEX NUTS

TOLERANCE +/- .26 mm

ITEM NUMBER	DESCRIPTION	F	H
04M020040HN	M2 X 0.4	3.9	1.2
04M025045HN	M2.5 X 0.45	4.9	1.8
04M030050HN	M3 X 0.5	5.4	2.2
04M035060HN	M3.5 X 0.6	6.9	2.7
04M040070HN	M4 X 0.7	6.9	3.0
04M050080HN	M5 X 0.8	7.9	4.3
04M060100HN	M6 X 1.0	10.0	5.4
04M080125HN	M8 X 1.25	12.9	6.4
04M100150HN	M10 X 1.50	14.8	9.8
04M120175HN	M12 X 1.75	17.74	10.54

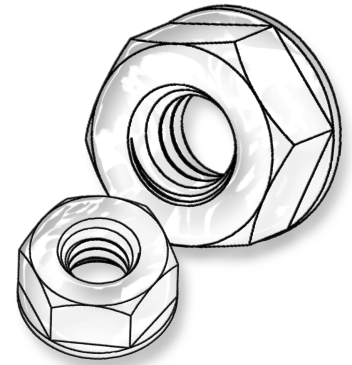
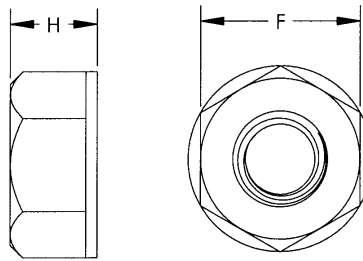


DESIGNED FOR STEEL SCREWS

NYLON LOCK NUTS

TOLERANCE +/- .26 mm

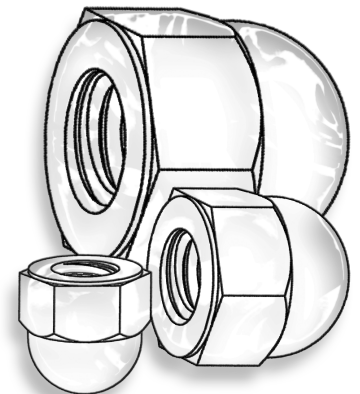
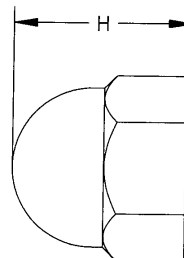
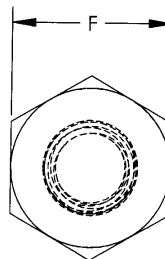
ITEM NUMBER	DESCRIPTION	F	H
07M060100LN	M6 X 1.0	10.9	6.7



NYLON CAP NUTS

TOLERANCE +/- .26 mm

ITEM NUMBER	DESCRIPTION	F	H * REF.
05M040070CN	M4 X 0.7	7.0	8.0
05M050080CN	M5 X 0.8	8.0	10.0
05M060100CN	M6 X 1.0	10.0	12.0
05M080125CN	M8 X 1.25	13.0	15.0
05M100150CN	M10 X 1.5	17.0	18.0
05M120175CN	M12 X 1.75	18.9	20.5
05M160200CN	M16 X 2.0	23.7	24.8
05M200250CN	M20 X 2.5	26.7	29.1



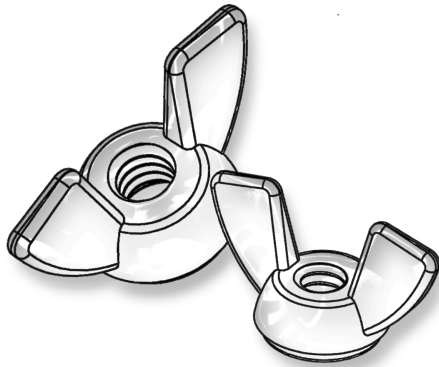
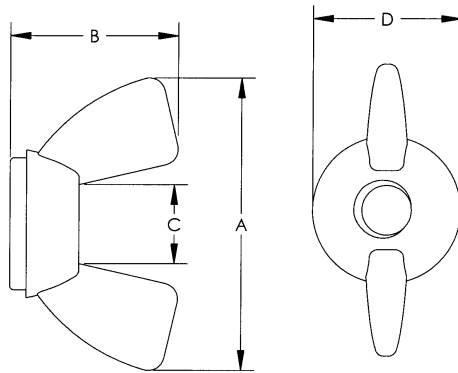
LOCKING CAP NUTS

05M040070LCN	M4 X 0.7	7.0	8.0
05M050080LCN	M5 X 0.8	8.0	10.0
05M060100LCN	M6 X 1.0	10.0	12.0

METRIC NUTS

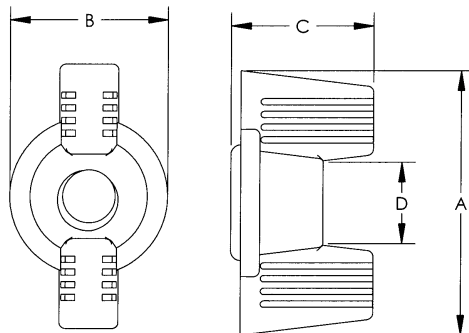
SECTION
XIV

ALL DIMENSIONS ARE IN MILLIMETERS



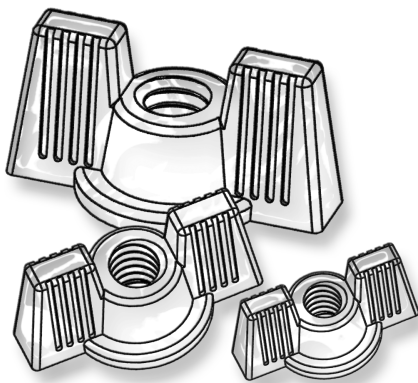
NYLON WING NUTS TOLERANCE +/- .26 mm

ITEM NUMBER	DESCRIPTION	A	B	C	D
06M030050WN	M3 X 0.5	22.9	12.2	5.8	10.2
06M040070WN	M4 X 0.7	22.8	12.2	5.8	10.2
06M050080WN	M5 X 0.8	22.8	12.2	5.8	10.2
06M060100WN	M6 X 1.0	27.7	16.0	7.6	14.2
06M080125WN	M8 X 1.25	34.8	18.3	9.6	16.2
06M100150WN	M10 X 1.5	34.8	18.3	9.6	16.2
06M120175WN	M12 X 1.7	44.7	22.7	15.0	21.1



DECO WING NUTS TOLERANCE +/- .26 mm

ITEM NUMBER	DESCRIPTION	A	B	C	D
06M030050DWN	M3 X 0.5	16.0	9.5	8.0	6.0
06M040070DWN	M4 X 0.7	16.0	9.5	8.0	6.0
06M050080DWN	M5 X 0.8	22.2	12.7	11.1	7.9
06M060100DWN	M6 X 1.0	29.7	15.8	13.4	9.5



DECO LOCKING WING NUTS

ITEM NUMBER	DESCRIPTION	A	B	C	D
06M030050DLWN	M3 X 0.5	16.0	9.5	8.0	6.0
06M040070DLWN	M4 X 0.7	16.0	9.5	8.0	6.0
06M050080DLWN	M5 X 0.8	22.2	12.7	11.1	7.9
06M060100DLWN	M6 X 1.0	29.7	15.8	13.4	9.5