

# BREMICK HAND TOOL - BHT



## Diameter Capacity

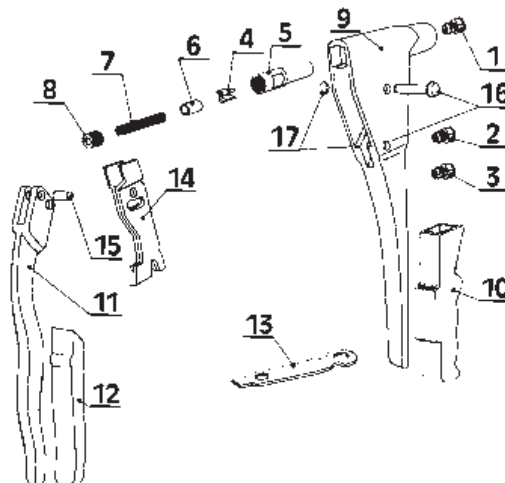
No.	Inch	mm	Material
4	1/8	3.2	All Materials
5	5/32	4.0	All Materials
6	3/16	4.8	Aluminium/Steel Sealed

Tool	Product Code	List Price \$ each
Tool: BHT	TRTBHT00000	105.80

## BHT Hand Tool Spare Parts PARTS LIST

Pos.	Product Description	Code
1	Nose piece 3.2mm/(1/8)	TRTPBHT0012
2	Nose Piece 4.0mm/(5/32)	TRTPBHT0022
3	Nose Piece 4.8mm/(3/16)	TRTPBHT0032
4	Jaws (set of 2)	TRTPBHT0042
5	Jaw Case	TRTPBHT0052
6	Jaw Pusher	TRTPBHT0062
7	Jaw Pusher Spring	TRTPBHT0072
8	Jaw Assembly Screw	TRTPBHT0082
9	Body	TRTPBHT0092
10	Body Grip	TRTPBHT0102
11	Lever	TRTPBHT0112
12	Lever Grip	TRTPBHT0122
13	Nose Piece Spanner	TRTPBHT0132
14	Pulling Arm	TRTPBHT0142
15	Pulling Arm Pin	TRTPBHT0152
16	Body Pins (2)	TRTPBHT0162
17	Body Pin Clips (2)	TRTPBHT0172

Light weight 0.6 KG  
Tradesman & home handyman quality  
Rivet capacity as indicated



All quoted prices are;  
• per each  
• exclusive of GST



# BREMICK LAZYTONG - BLT



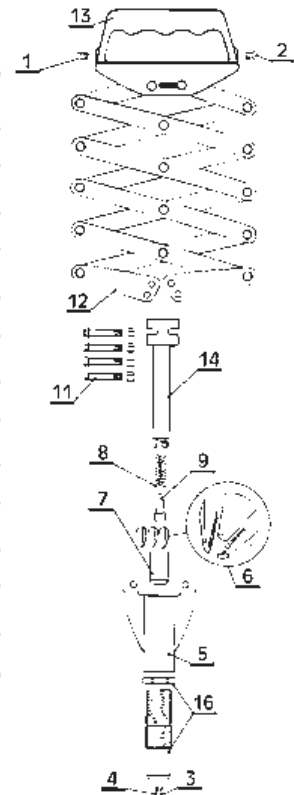
## Diameter Capacity

No.	Inch	mm	Material
4	1/8	3.2	ALL
5	5/32	4.0	ALL
6	3/16	4.8	ALL
8	1/4	6.4	ALL

Tool	Product Code	List Price \$ each
Tool: BLT	TRTBLT00000	333.50

## BLT Hand Tool Spare Parts PARTS LIST

Pos.	Product Description	Code
1	Nose piece 3.2mm/(1/8)	TRTPBLT0012
2	Nose Piece 4.0mm/(5/32)	TRTPBLT0022
3	Nose Piece 5.0mm/(3/16)	TRTPBLT0032
4	Nose Piece 6.4mm/(1/4)	TRTPBLT0042
5	Body	TRTPBLT0052
6	Jaws (set of 3)	TRTPBLT0062
7	Jaw Case	TRTPBLT0072
8	Jaw Spring	TRTPBLT0082
9	Jaw Pusher	TRTPBLT0092
11	Bolt & Nut (set of 4)	TRTPBLT0112
12	Lattice	TRTPBLT0122
13	Handle	TRTPBLT0132
14	Ram	TRTPBLT0142
16	Nosebody & Locknut	TRTPBLT0162



Weight 2.2 KG  
Rivet Capacity as indicated

### Main Feature:

The tool has an adjustable stroke so that you can maximise its mechanical advantage and minimise the time to set a rivet. To best take advantage of this feature:-

- Set a test rivet.**
  - If the rivet stem breaks early in the stroke, the stroke is too long.
  - If the rivet does not break in one stroke, the stroke is too short.
- Adjust stroke.**
  - If stroke too long, screw the Nosebody in to reduce the stroke.
  - If stroke too short, screw the Nosebody out to increase the stroke.

All quoted prices are;  
• per each  
• exclusive of GST